

## 100-1957-10-065 Configuration Cable

**WARNING:** Do NOT use with WindSonic Option 1 sensors, because the power and ground connections will be reversed and damage could result.

### Compatibility

- **MaxiMet** All Versions
- **WindSonic** Option 2 and Option 3 sensors with 9-way connectors

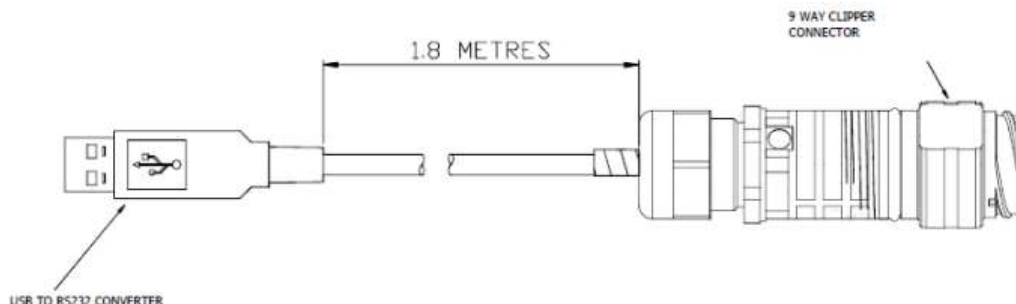
The **100-1957-10-065 Configuration Cable** translates RS232 signals to USB. When connected to a Windows-compatible computer, a virtual COM port is automatically opened.\* The COM port can be accessed via a terminal program such as TeraTerm, or one of the freeware programs delivered with the MaxiMet or WindSonic sensor.

The configuration cable supplies 5 volt power to the sensor for programming purposes. The data output of the sensor can be monitored, however, the voltage is not sufficient to operate analog outputs. Furthermore, the cable does not supply power to operate the heater elements in heated WindSonic sensors.

Instructions for using the configuration cable can be found in the MaxiMet or WindSonic user manual. Keep in mind that if the sensor is not in RS232 communications mode, or in an unknown configuration, use the "Safe Mode" method to initiate communications with the sensor.

### Features

- USB connector with LED indicators
- FTDI chipset – compatible with most Windows systems
- 9-way connector, 1.8 meter (5.9 feet) cable



### Ordering Information

100-1957-10-065 Configuration cable, USB-RS232, 1.8 m (5.9 feet)

\* Downloadable USB drivers are available for other operating systems.