

## 190-1xx Grounding Systems

Meteorological equipment is constantly exposed to the worst elements of nature including lightning. The failure of many meteorological stations using electronic data collection can be directly attributed to poor or no lightning protection. NovaLynx grounding systems conduct electrical charges caused by lightning or static built-up directly to earth ground.

### 190-110 Grounding Kit

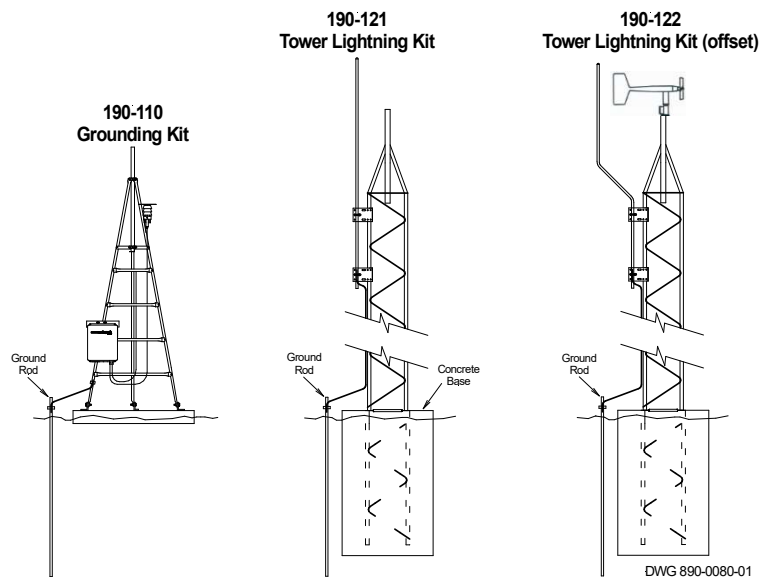
- Includes ground rod, clamps, and four feet (1.2 m) of #4 AWG copper ground wire
- Use with **190-5xx Tripods** (3', 5' and 10' models), towers, and equipment enclosures

### 190-121 Tower Lightning Kit

- Includes lightning rod, ground rod and mounting hardware
- Use for towers up to 40' (12 m) tall
- 2/0 Copper cable sold separately

### 190-122 Tower Lightning Kit (offset)

- Includes offset lightning rod, ground rod and mounting hardware
- The offset provides approximately 20" (50 cm) of clearance for a propeller-type anemometer mounted on the top of the tower.
- Use for towers up to 40' (12 m) tall
- 2/0 Copper cable sold separately



### Ordering Information

190-110	Grounding Kit
190-121	Tower Lightning Kit
190-122	Tower Lightning Kit (offset)
330-T605004	2/0 Copper cable (per foot)

**190-1xx Grounding Systems**  
(Towers & tripods sold separately.)

*NovaLynx Grounding Kits and Tower Lightning Kits provide a measure of protection from static build-up and lightning, but cannot protect against all hazards. See warranty for limitations.*