

## 190-721 33' Steel Crank-Up Tower

The **190-721 Crank-Up Tower** is a light weight and free standing tower that can be raised and lowered by means of an easy-to-operate winch. The tower may be lowered to approximately 11', then tilted on its hinged base to permit access to instruments mounted at the top.

The tower is constructed of hot-dipped galvanized steel. The sturdy design allows up to 20.7 sq. feet of wind load in 90 mph winds per TIA/EIA specifications. Crank-up towers should not be climbed, even if they are completely nested. These lightweight towers should provide many years of trouble-free service.

### Features

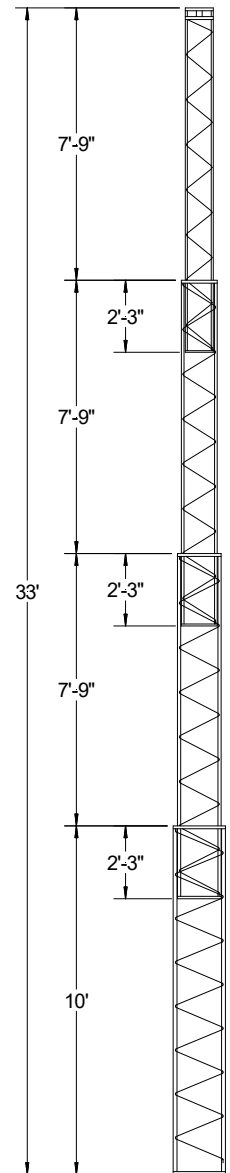
- Extended height: 33' (10m) without mast
- Nested height: 11'-4" (3.5m)
- 2" OD x 0.120" x 8' (2.4m) mast included
- Tilt-down base
- Load actuated winch
- Hot-dipped galvanized steel construction

### Specifications

**Basic Wind Velocity:** 90 mph 3 second gust, 76 mph fastest mile

**Ice:** None

- Max. Allowable Antenna Wind Load (lbs): 309
- Max. Allowable Antenna Weight (lbs): 75
- Max. Allowable Antenna Wind Area (sq. ft): 20.7 (All Round Members)
- Max. Allowable Antenna Wind Area (sq. ft): 11.8 (All Flat Members)

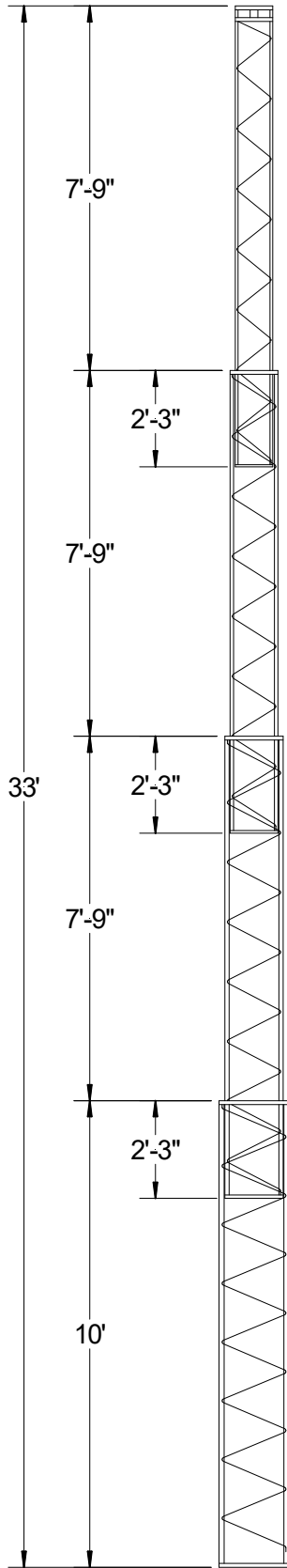


### Ordering Information

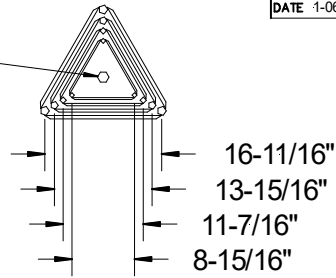
190-721 33' Steel Crank-Up Tower with Hinged Base Plate and Anchor Bolts, Self Supporting, TMM-433SS

**33' Steel Crank-Up Tower  
NovaLynx Part #190-721**

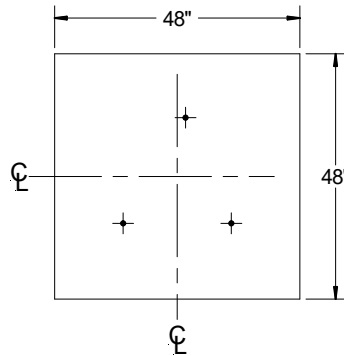
		<b>A</b>
TITLE <b>33' CRANK-UP TOWER</b>		
MOD. USAGE	190-721	SHEET 1 OF 1
BY	JDC	SCALE DWG. NO.
DATE	1-06-2022	1:24 890-0121-01



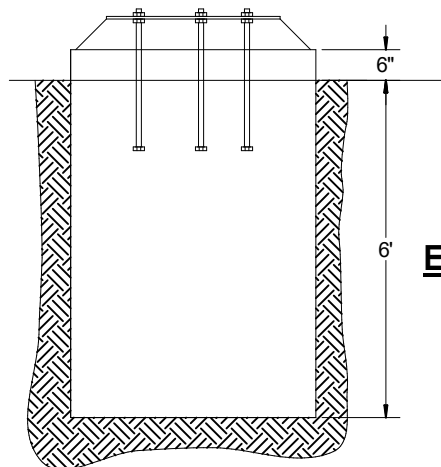
2" OD Tube Mast  
(8' mast included)



**Tower  
Plan View**  
No Scale



**Foundation  
Plan View**  
No Scale



**Foundation  
Elevation View**  
No Scale

Foundation requires rebar (not shown).  
Complete details may be found in the  
TMM-433SS Structural Analysis Report.