

190-WS-32TM Tripod & Mast

The **190-WS-32 Tripod & Mast** is a sturdy and economical support for temporary or permanent installations. The tripod may be ground-mounted or secured to the top of a building. When assembled, the overall height is approximately 7.5 feet (2.3 m).

Additional mast segments may be ordered to increase the mast length. Guy wire kits are available to ensure the tripod is stable even in windy conditions. NovaLynx offers lightning rods and earth-grounding kits for lightning protection.



Features

- Plated steel construction
- Folds for transport and storage
- Upper and lower mast clamps
- Accepts masts up to Ø 1.75" (Ø 44.5mm)
- Feet swivel for mounting on sloped roofs
- May be tipped down (one direction only)

Assembled Height	7.5' (2.3 m)
Construction	Tripod: Galvanized steel, Mast: Aluminum
Tripod Height (unfolded)	55"
Tripod Width (unfolded)	48"
Tripod Weight	11.75 lbs (5.3 kg)
Max mast diameter	Ø1.75" (Ø44 mm)
Leg diameter	Ø1.25" (Ø32 mm)
Mast (1 section)	Ø1.25" x 5' (Ø32 mm x 1.5 m), Swaged one end
Overall Weight	14.25 lb (6.5 kg)

Ordering Information

190-WS-32TM 5' Tripod & 5' Mast

Additional Mast Sections (Swaged one end: Ø1.07" x 3.75" (Ø27 x 95mm))

- 190-302** 3' Aluminum mast, swaged
- 190-312** 5' Aluminum mast, swaged
- 190-318** 8' Aluminum mast, swaged
- 190-322** 10' Aluminum mast, swaged

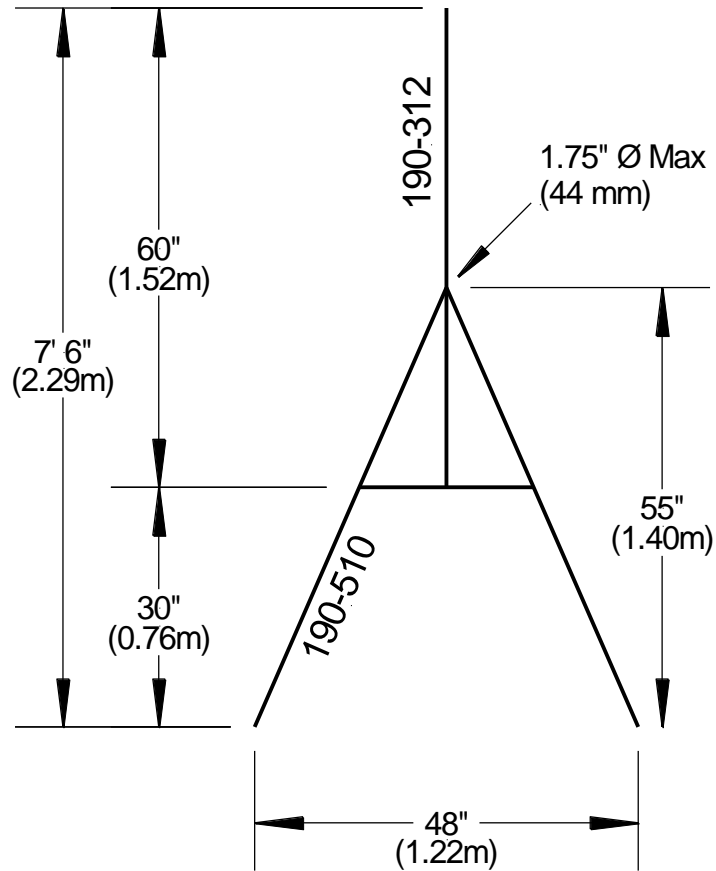
Tripod Guy Wire Kit

- 190-205** 5' Tripod guy kit (no anchors)
- 190-211** Earth anchors for use with Tripod Guy Kit, 3/set
3/8" x 15" shaft, 3" dish auger, eyebolt

Tripod Grounding Kit

- 190-110-5** Grounding Kit with 5' ground rod

5' Tripod & 5' Mast



Mast and tripod
legs 1.25" Ø (32 mm)

DWG 800-0008-02