

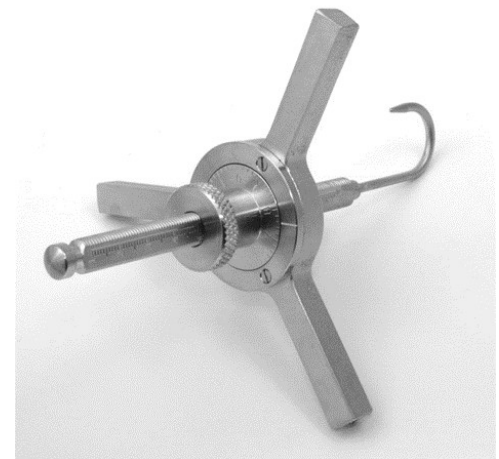
255-21x Hook Gauge

The **255-214 Hook Gauge (English units)** and **255-215 Hook Gauge (metric)** are part of a measurement system that consists of a Class A evaporation pan (Novalynx 255-200) and a Novalynx 255-205 Still Well that supports the gauge while measurements are made.

At the time of each observation, place the gauge on the stilling well and adjust the hook in the well until the point is below the surface of the water. Slowly turn the adjusting nut clockwise until the point just pierces the water surface. Reflection of the sky in the water will assist in determining when the point first breaks through the surface. Remove the gauge from the still well and read the scales.

Features

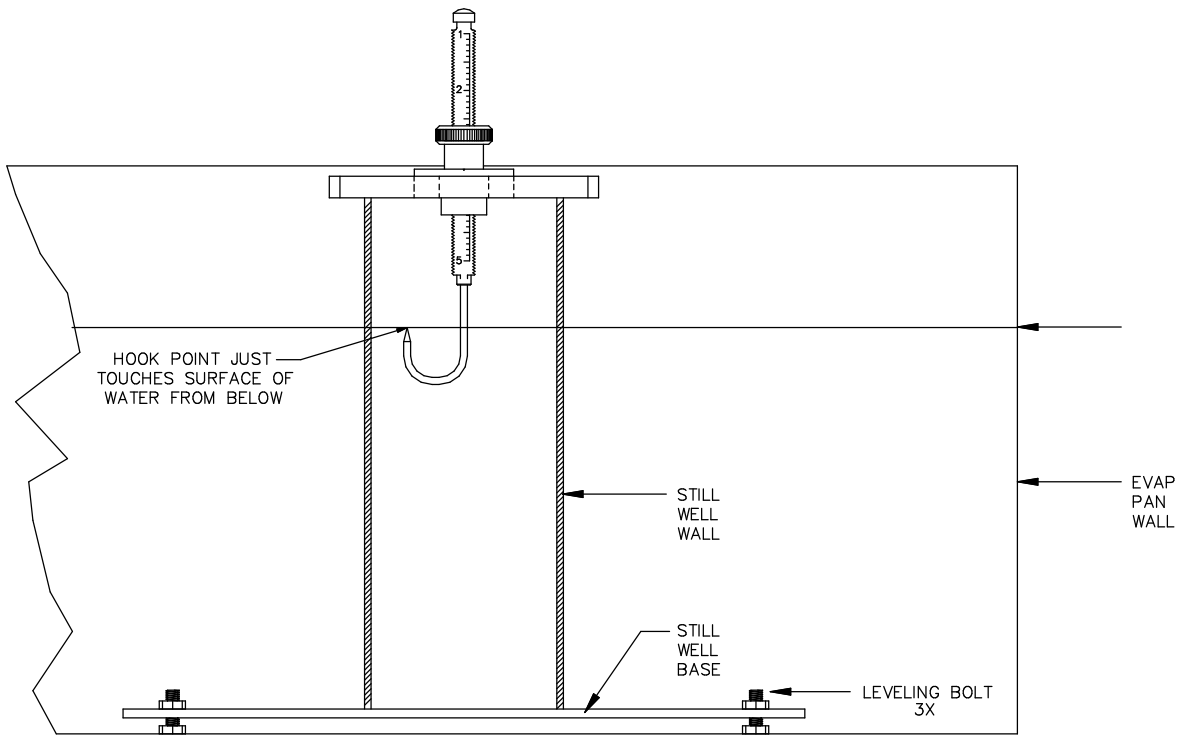
- Smooth operation with knurled adjusting nut
- Permanent inscribed markings
- Corrosion resistant nickel plating



Hook Gauge	255-214	255-215
Units	Inches	Millimeters
Inscribed Range	4"	10 cm
Max mechanical range	3.7"	7.5 cm
Resolution	0.002"	0.02 mm
Stem major gradations	1"	1 cm
Stem minor gradations	0.1"	1 mm
Dial major gradations	0.01"	0.1 mm
Dial minor gradations	0.002"	0.02 mm
Material	Nickel plated brass	Nickel plated brass
Dimensions	Ø 5.25" x 7" height	Ø 133 mm x 178 mm height
Weight / Shipping	1 lb / 2 lb	0.5 kg / 1 kg
Shipping Carton	6.25" x 6.5" x 6.25"	16 x 17 x 16 cm

Ordering Information

255-214	Hook Gauge, English units
255-215	Hook Gauge, metric units



NOTES: 1. HOOK GAUGE SHOWN WITH POINT ROTATED FOR ILLUSTRATIVE PURPOSES ONLY.

DWG 890-0076-02