

395-USB Sensor Junction Box

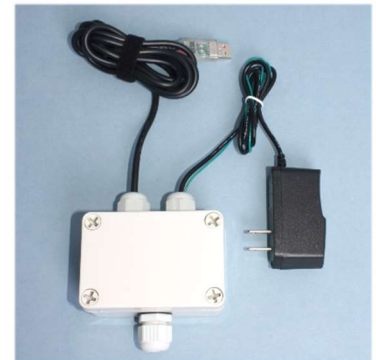
The **395-USB Sensor Junction Box** is a convenient way to connect the serial output of a weather sensor to a USB input on your computer. The junction box includes a 12V power supply to operate the sensor and an earth grounding wire to help protect your system.

The USB converter usually auto-loads the correct driver on most Windows computers, providing a virtual COM port that can be opened by a terminal program or other software. Drivers are available for several other operating systems (<https://www.ftdichip.com/Drivers/VCP.htm>).

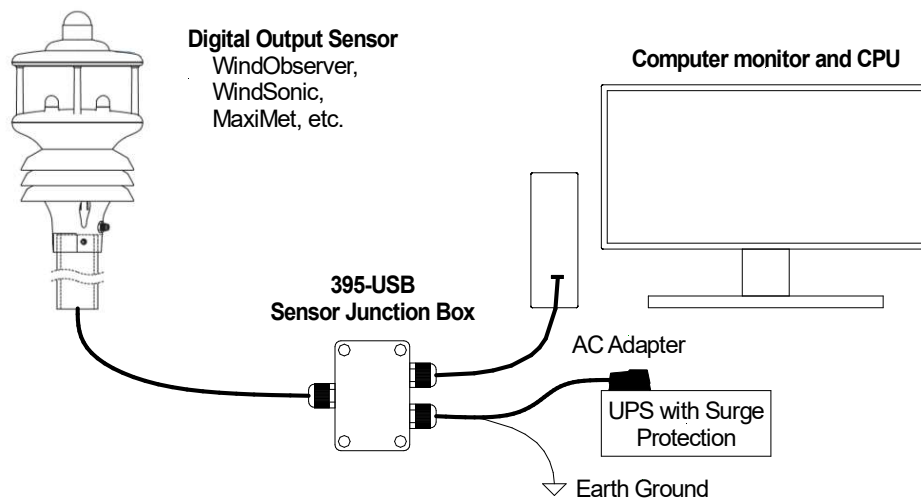
The junction box and AC adapter are suitable for indoor use, and are typically mounted within a few feet of the computer to which it is to be connected. The AC adapter should be plugged into an outlet that has a surge suppressor and the grounding wire connected to an earth ground.

Features

- Cord grip entry points
- 6 or 8-position screw terminal block, depending on model
- Universal 100-240 VAC adapter / 12 VDC output
- Earth grounding wire
- RS232 or RS422 input to USB output converter
- Tx and Rx LEDs indicate traffic on the cable
- ESD Tolerance ± 15 kV



Typical System



USB cable 5.9' (1.8 m), AC Adapter cable 3' (0.9 m), Earth grounding wire 5' (1.5 m), Sensor input cable (not included)

Ordering Information

395-USB-232

USB-RS232 Sensor Junction Box

395-USB-422

USB-RS422 Sensor Junction Box