

Sentry™ Visibility Sensor

Hood Extensions

Model 73038

The Model 73038 Sentry™ Hood Extensions provide for additional sensor lens protection along each side and below the sensor lens. Typical applications include roads and bridges where the sensor is less than 10 m from the roadway, maritime environments subject to blowing salt spray and areas near heavy industrial pollution sources.

The Hood Extensions slip over the standard Sentry™ hood covers and only require one screw to provide for a sturdy clamped attachment.

Key Features:

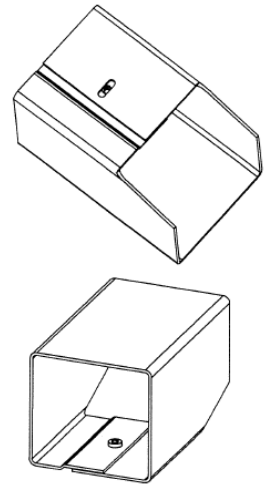
- High Strength Aluminum Alloy
- Anodized Finish for Long Term Weather Resistance

Components:

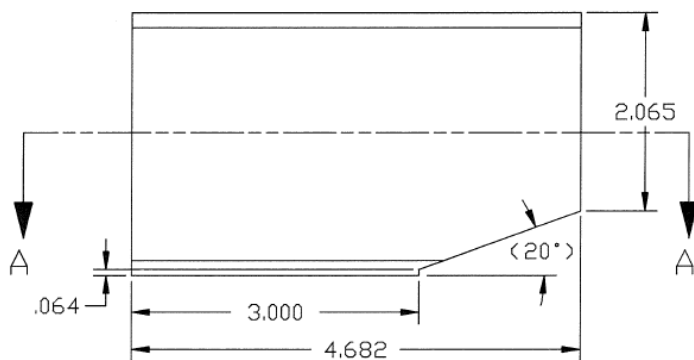
- Hood Extensions (2)

Ordering Information:

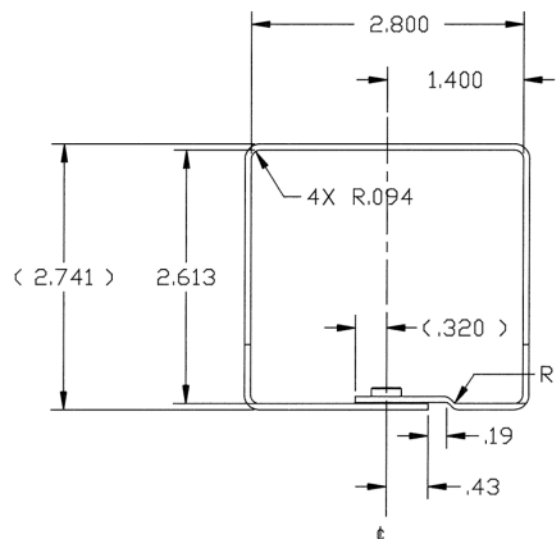
- Model 73038 Sentry™ Hood Extensions – 1 pair (previously Envirotech P/N 20016).
Made in the USA.



SIDE VIEW (inches)



FRONT VIEW (inches)



Distributed by
 NovaLynx Corporation
 PO Box 240 • Grass Valley, CA 95945 USA
 530-823-7185 • nova@novalynx.com • www.novalynx.com