

Sentry™ Visibility Sensor Mounting Bracket Model 74050

The Model 74050 Mounting Bracket is an optional accessory used to mount the Model 73000 Sentry™ Visibility Sensor to vertical surfaces. The Mounting Bracket provides for attachment to flat walls, traffic poles, or Rohn-type tower legs. The design allows the Sentry™ to be rotated to the optimal orientation.



Key Features:

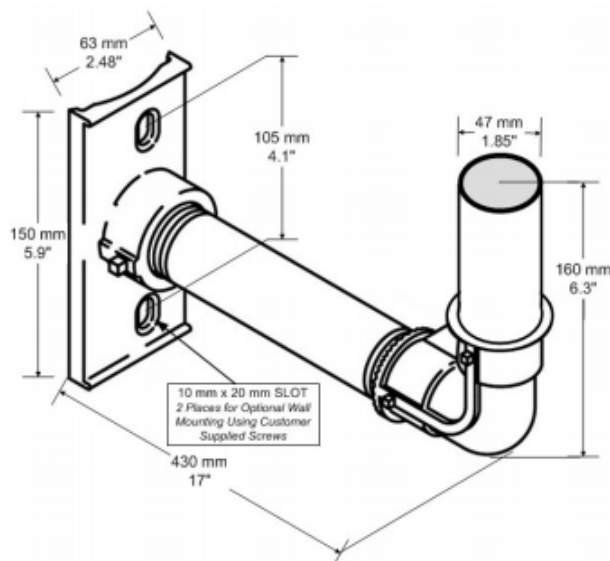
- High Strength Aluminum Alloy
- Black Powder Coat Finish for Long Term Weather Resistance
- 1 ½" pipe size to mate with the standard Sentry™ mounting flange.

Components:

- Mounting Bracket
- Two (2) Stainless Steel Hose Clamps
- Instruction Sheet

Ordering Information:

- Model 74050 Sentry Mounting Bracket (previously Envirotech P/N 20014). Made in the USA.



Distributed by
NovaLynx Corporation
PO Box 240 • Grass Valley, CA 95945 USA
530-823-7185 • nova@novalynx.com • www.novalynx.com