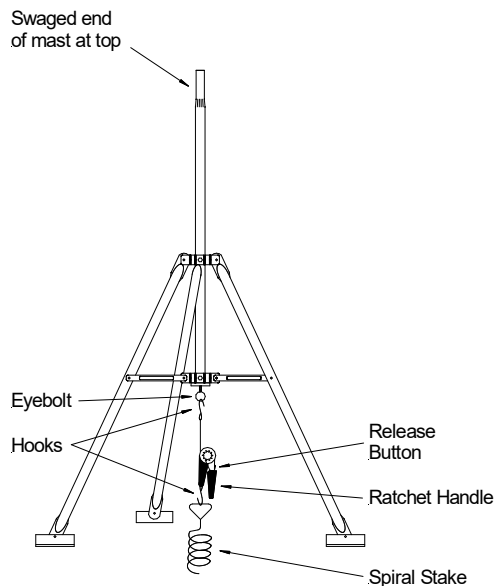


110-WS-25P Quick Start

Hardware Installation

Select a level area on firm ground that will support the tripod. The area should be away from buildings or trees that block air movement. A grassy area is preferred. Install the spiral stake, making sure there are no buried pipes or wires in the area.

1. The mast is in two sections. Open the tripod fully, then insert one section into the tripod with the swaged end pointing up. Tighten the bolts to clamp the mast. Center the tripod over the spiral stake, and secure it using the ratcheting tie down.
2. Assemble the wind sensor on the swaged end of the remaining mast section. Secure it with the two screws provided.
3. Rotate the mast until the NORTH label on the wind sensor points north, then lower the assembly onto the tripod.
4. Mount the temperature or temp/humidity sensor on the mast.
5. If any optional sensors were ordered, mount them on the mast, except for the optional barometric pressure sensor, which should remain in the carrying case to protect it from the weather.



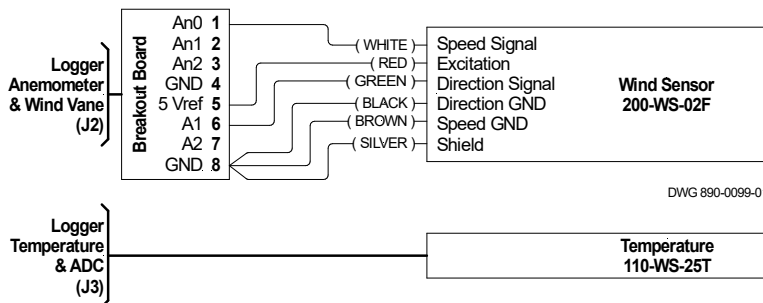
3' Portable Tripod with Ratcheting Tie Down

Wiring

Whenever possible, sensors ordered with the portable weather stations are pre-wired and configured in the logger. If it is necessary to add sensors, the logger must be lifted out to access the breakout board(s) where the screw terminals are located.

Version A: (110-WS-25P-A)

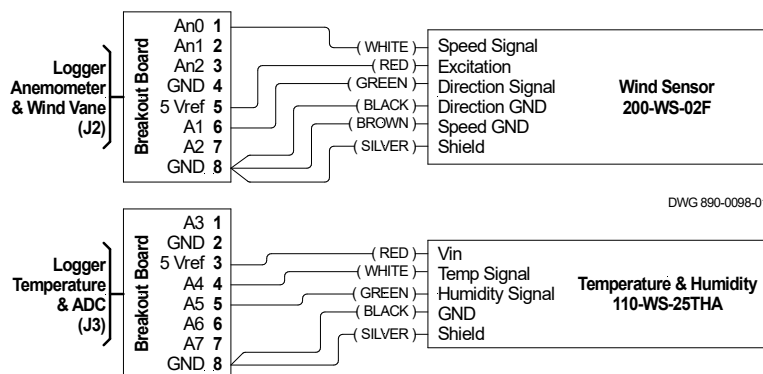
- Wind Speed
- Wind Direction
- Air Temperature



DWG 890-0099-01

Version B: (110-WS-25P-B)

- Wind Speed
- Wind Direction
- Air Temperature
- Relative Humidity



DWG 890-0098-01

Power

1. To turn on the logger, simply connect the red battery lead to the positive terminal of the battery. The system can run for up to 10 days from a fully charged battery.
2. To charge the battery after a logging session, connect the AC charger's 2-pin quick connect to the logger, then connect the charger to a power outlet (100-240 Vac). A LED on the charger indicates the status: RED LED = Charging, GREEN LED = Charged.

Logger Status

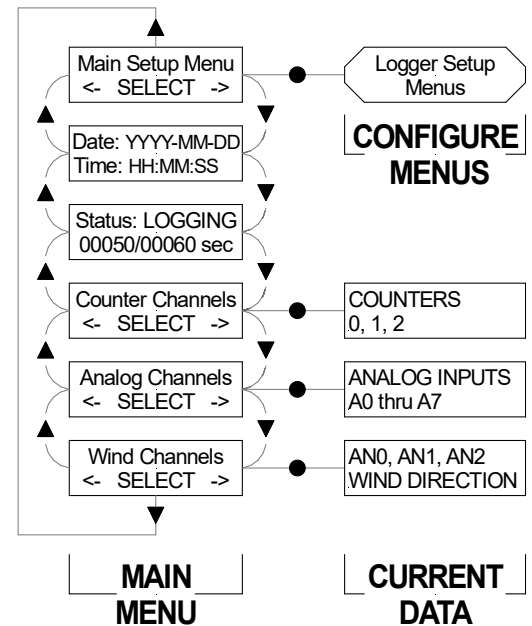
Use the up and down buttons below the display to toggle through the Main Menu.

1. Check the Date and Time.
2. Check the logging interval, which is expressed in seconds.
3. If correct, insert the memory card to begin logging. Otherwise consult the instruction manual

View Sensor Data on the Logger

Scroll to Counter Channels, Analog Channels or Wind Channels and then press the SELECT button. Within the sub-menus, press the up and down buttons to view sensor data.

- Counter Channels 2: Rain Today
- Analog Channels A0: Input Voltage, A4: Temperature, A5: Humidity, A6: Barometric Pressure
- Wind Channels AN0: Wind Speed/Max, Wind Direction



Download Data

1. Press inwards on the data card to release it.
2. Insert the data card into the USB card reader (included). Connect the card reader to a computer.
3. Open File Explorer to access the contents of the memory card. Copy any files you want to keep. *Note: The logger creates a new file every day, with the date code as the name (YYYYMMDD.csv)*
4. Open the file in a spreadsheet. It may be necessary to invoke "Text to Columns" to get the data to fall into separate columns. The logger does not pre-pend column headings, so you will need to create headings and copy/paste them into the spreadsheet to make it easier to interpret the data.

	A	B	C	D	E	F	G	H	I	J	K	L	M	N	O	P	Q	R	S	T	U	V	W
1	Wind Speed, Wind Gust, Direction, and Pulses												Analog Voltages from a Variety of Inputs										
2	Anemometer 0			Anemometer 1			Anemometer 2			Counter	Counter	Counter	Wind	A0,	A1,	A2,	A3,	A4,	A5,	A6,	A7,	CRC	
3	Date Time	Speed	Gust	Pulse-Count	Speed	Gust	Pulse-Count	Speed	Gust	Pulse-Count	0	1	2	Direction	10bits	10bits	10bits	10bits	12bits	12bits	12bits	12bits	12bits
4	9/17/2019 0:00	0	0	0									0	58	12.18				12.9	28	5.569		53
5	9/17/2019 0:01	0	0	0									0	58	12.18				11.8	27.4	5.53		25
6	9/17/2019 0:02	0	0	0									0	58	12.14				10.9	27	5.498		190