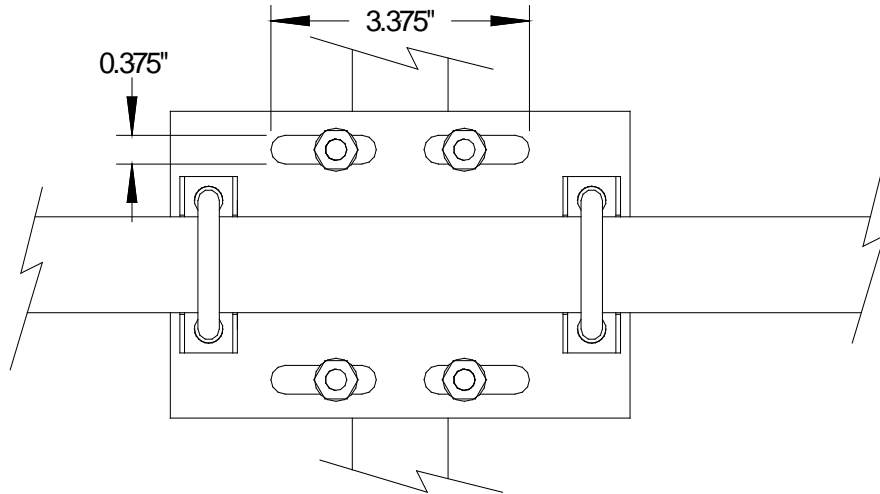


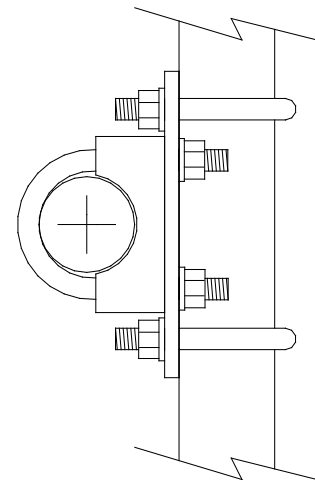
260-700-TM-2 Horizontal Mounting Pipe with Bracket

The 260-700-TM-2 is an extension arm for mounting sensors away from a vertical support pole. The central bracket clamps to the supporting mast (not supplied), while the horizontal aluminum pipe (consisting of two 3' sections) can be extended as much as 5.5 feet (1.6 m) to the side.

The supplied U-bolts and saddles are designed for $\varnothing 1.25"$ masts, but slots in the mounting plate will accommodate U-bolts up to 3.375" maximum width (not supplied).



1.25" Crossarm Mounting Plate



Side View

DWG 890-0035-02

Either (or both) ends of the cross arm can be used to support sensors. One end of the horizontal extension arm is swaged and can be used for smaller diameter receivers. A 4" x 1/2" aluminum nipple with 1/2" NPT threads is supplied to fit into the swaged end, providing a mounting point for sensors with a threaded receiver.

The aluminum cross arm can be cut to length, or the swaged end cut off if it isn't needed. Use a pipe cutter or hacksaw, then file the ends to remove burrs.



3' Aluminum Crossarm (2 each)

DWG 890-0062-01.

Ordering Information

260-700-TM-2 3' Horizontal Mounting Pipe (2 each) with Pole Mounting Bracket

