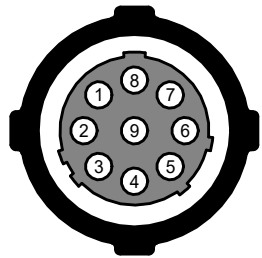


# 200-06201 Wind Tracker Connections

WindSonic  
Option 3

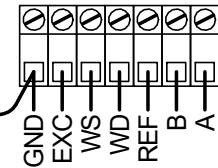


Front View of  
9-Way Connector

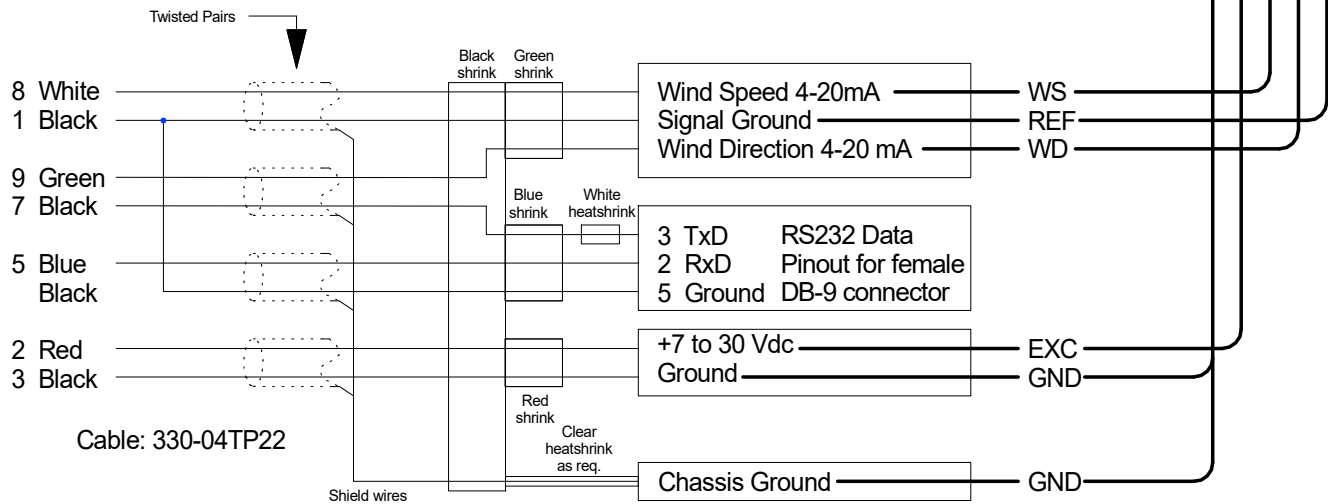


Slide Switch  
UP for 4-20 mA

4-20 mA Sensor Input  
Terminal Block



Earth Ground



**Program WindSonic:**

S6 ( 0-50 meters / second )  
T3 ( 4-20 mA output )

**Program WindTracker:**

- 1) Set slide switch UP
- 2) Press both ENTER and SELECT for about 4 seconds to enter program mode  
Use the SELECT key to scroll through the options  
Use the ENTER key to select the following:

InP Ldi Line Driver 4-20mA input ( 0-50 meters / second )

		C
TITLE RM Young Wind Tracker with WindSonic Opt 3 (with serial)		
SHEET 1 OF 1		
BY JDC	SCALE FULL	DWG. NO. 830-0005-02
DATE 1-03-2022		