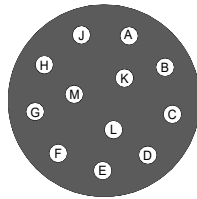


200-06201 Wind Tracker Connections

WindSonic
M201, M301



12-Way Connector

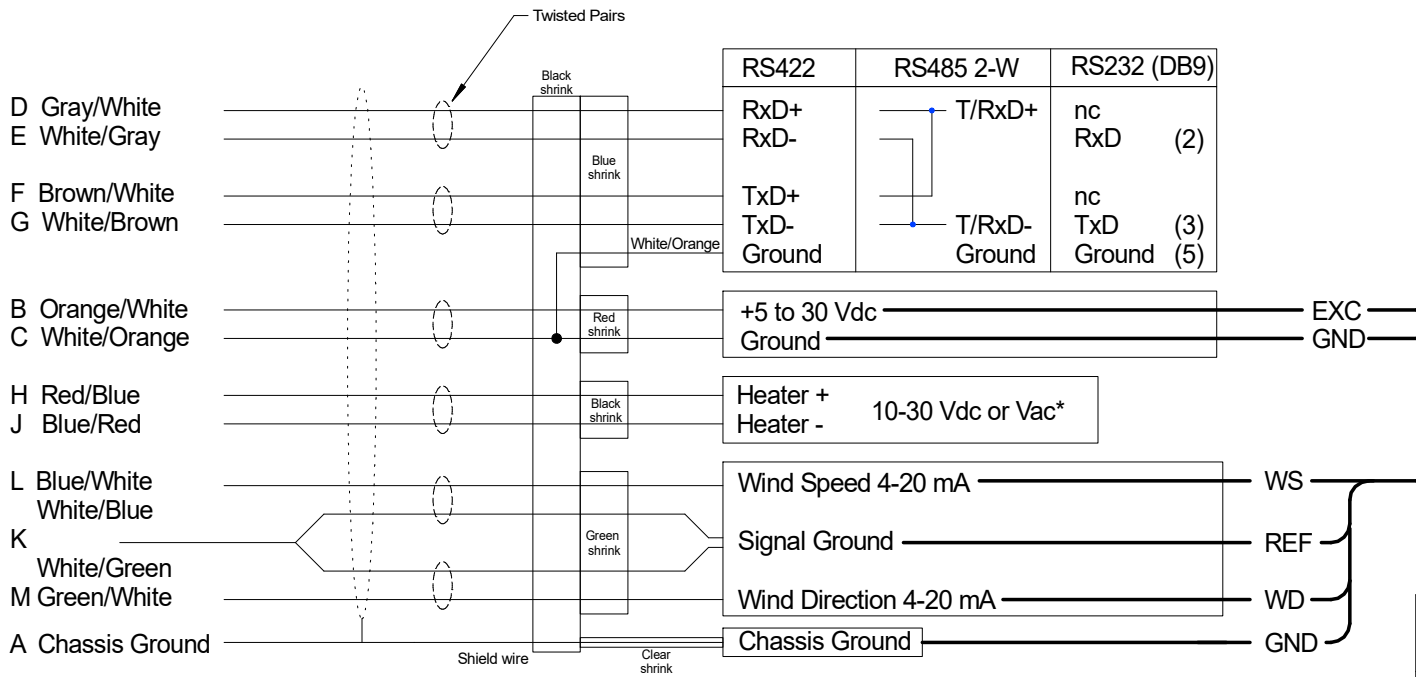
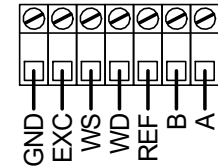


Rear View of
Connector



Slide Switch
UP for 4-20 mA

4-20 mA Sensor Input
Terminal Block



Program WindSonic:
S6 (0-50 meters / second)
T3 (4-20 mA output)

		C
TITLE RM Young Wind Tracker with Gill Sensors		
		SHEET 1 OF 1
BY JDC	SCALE FULL	DWG. NO. 830-0006-01
DATE 10-10-2018		