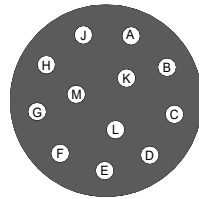


200-06201 Wind Tracker Connections

WindSonic
M201, M301



12-Way Connector



Rear View of
Connector

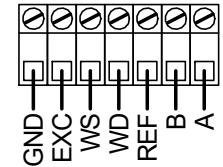


Program WindTracker

- 1) Set slide switch UP
- 2) Press both ENTER and SELECT for about 4 seconds to enter program mode
- 3) Use the SELECT key to scroll through the options
- 4) Use the ENTER key to select the following:

Slide Switch
UP for 4-20 mA

4-20 mA Sensor Input
Terminal Block

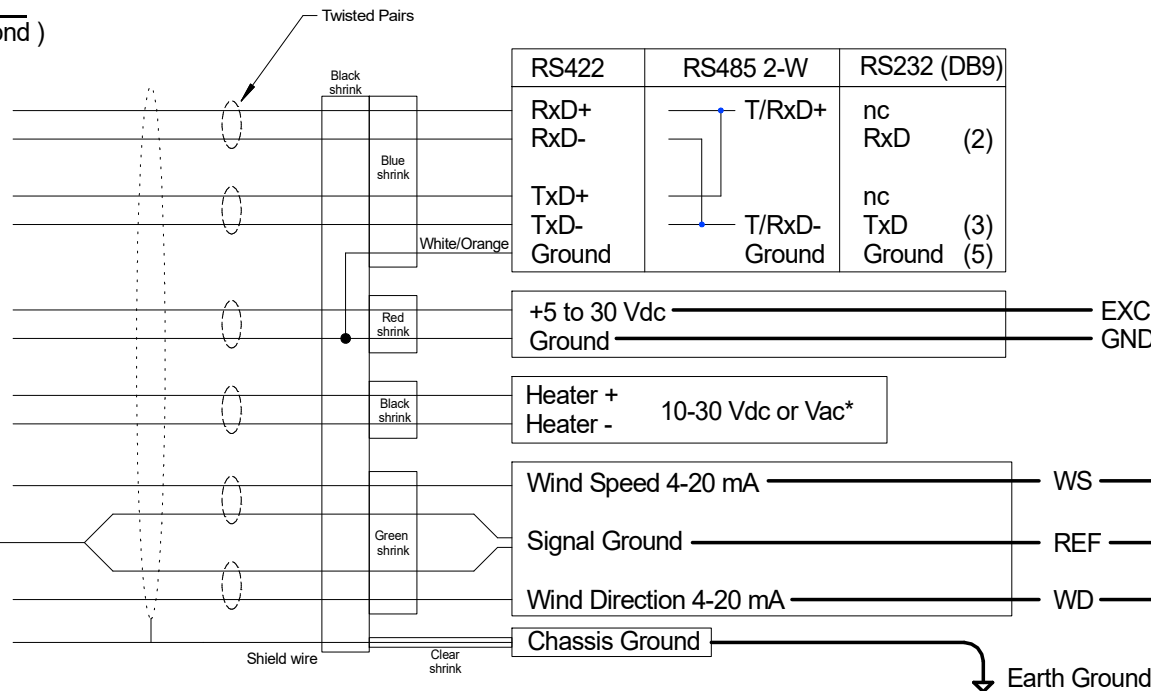


InP Ldi Line Driver 4-20mA input
(0-50 meters / second)

Program WindSonic

S6 (0-50 meters / second)
T3 (4-20 mA output)

- D Gray/White
- E White/Gray
- F Brown/White
- G White/Brown
- B Orange/White
- C White/Orange
- H Red/Blue
- J Blue/Red
- L Blue/White
- White/Blue
- K White/Green
- M Green/White
- A Chassis Ground



Cable: 330-06TP24

For heater voltage >12VDC or longer cable runs, consider using the Heater Interface Box

- * Model 201: 24 VDC 6A (minimum) recommended for heater power. The same DC supply can be used to power the sensor.
- Model 301: Unheated, insulate unused wires

		C
TITLE		
RM Young Wind Tracker with WindSonic M201/301		
		SHEET 1 OF 1
BY	JDC	SCALE DWG. NO.
DATE	2-07-2023	FULL 830-0006-02